
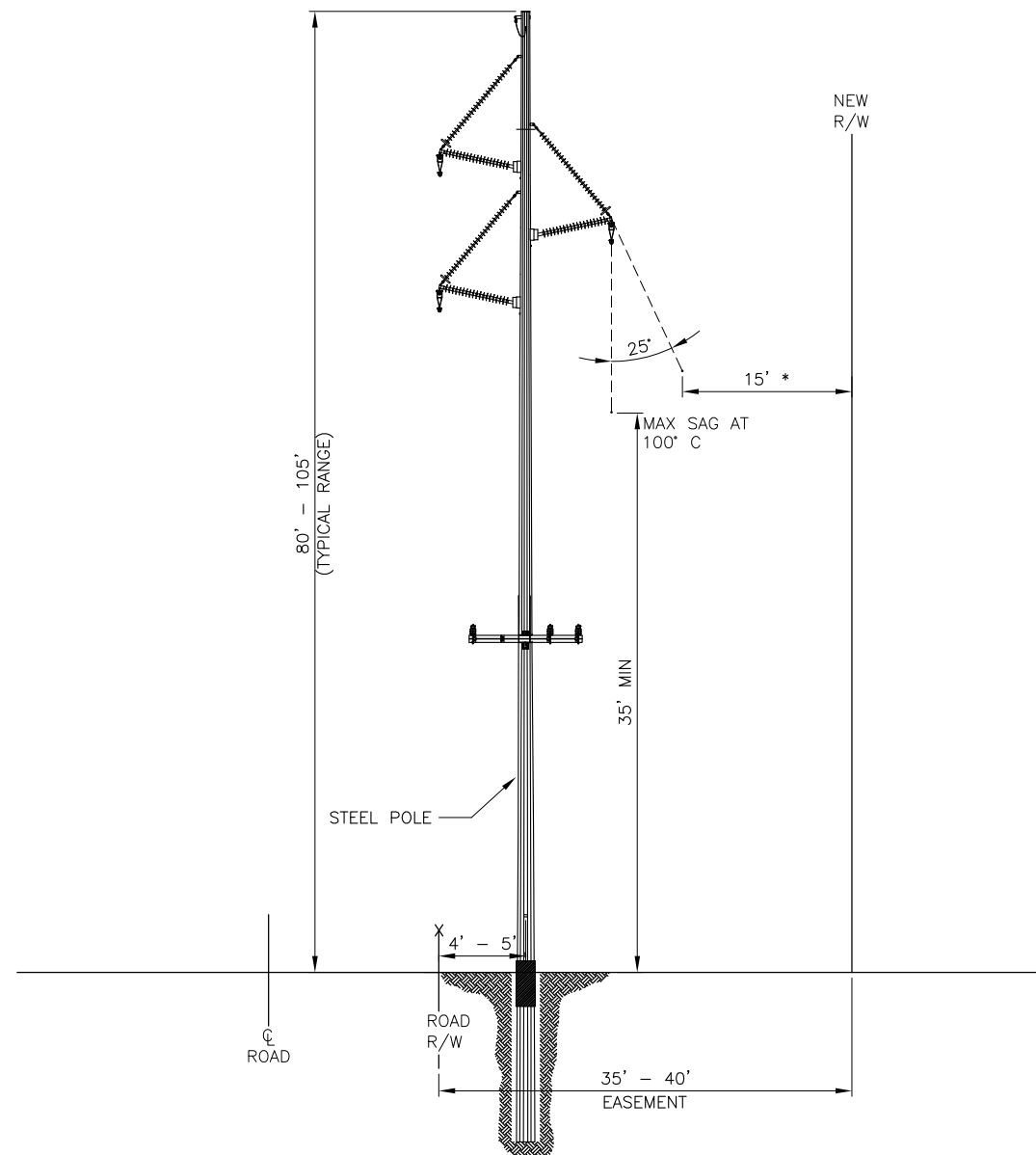


* INCLUDES CODE CLEARANCE TO BUILDINGS, ALLOWANCE FOR LONGER SPAN EFFECTS, AND STRUCTURE DEFLECTION.


REV.	DESCRIPTION	DSN	CHK	ORG	APP1	APP2	DATE
REVISIONS							
 Public Utility District of Grant County EPHRATA, WASHINGTON 98823							
CATEGORY TRANS				SUB-CATEGORY			
DOS FILE:	LAST FILE:	PLOT BY:	PLOT DATE:				
TITLE PROPOSED COLUMBIA TO ROCKY FORD 230KV TRANSMISSION LINE							
DESIGNER PED	ORIGINATOR CMP	SHT. of 1	of 1	PLOT SCALE 1	DRAWING NUMBER		
CHECKER PED	DATE 06/24/09	SCALE 1/8"=1'-0"	DWG SIZE D	EXHIBIT 1			



H-FRAME CROSS COUNTRY R/W SECTION

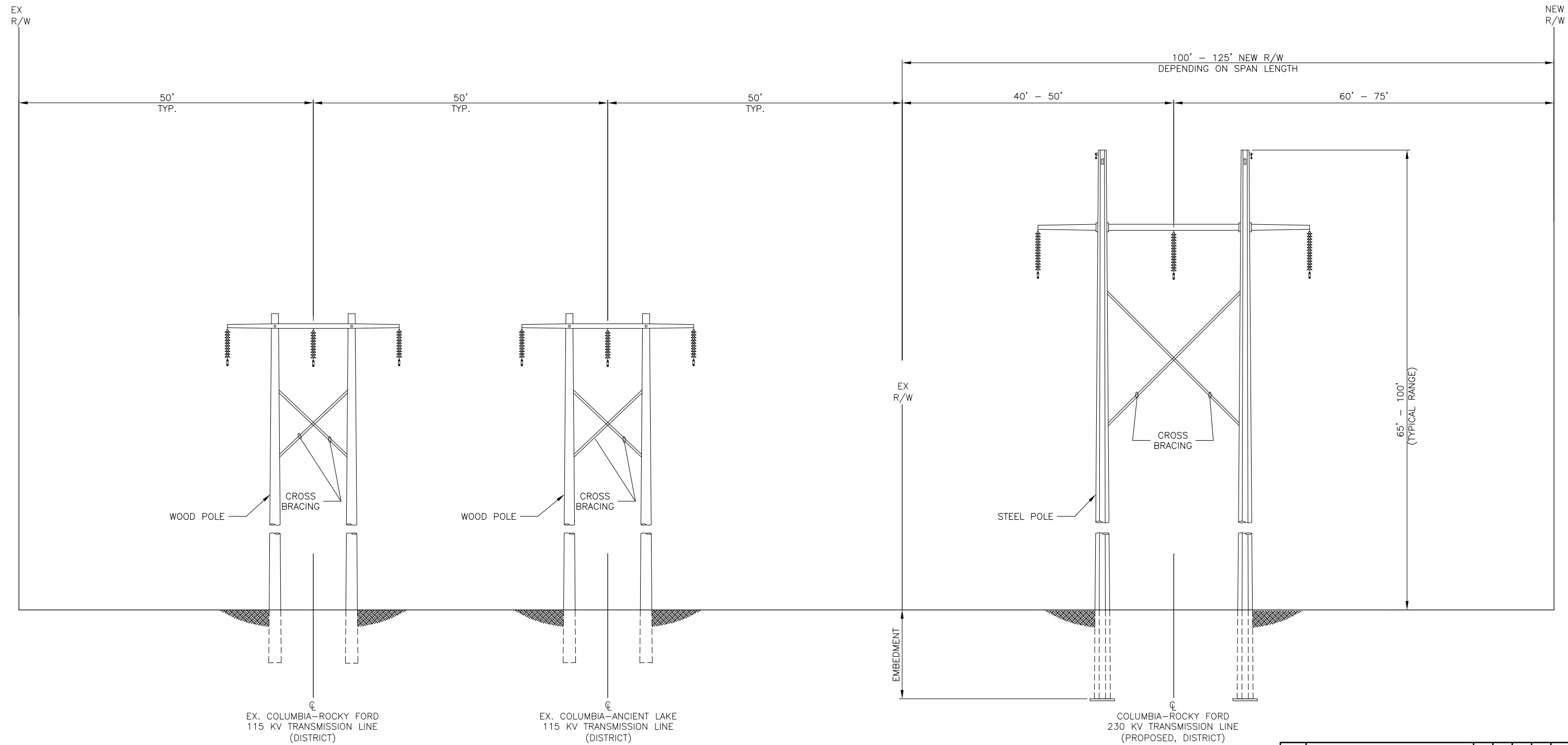


* INCLUDES CODE CLEARANCE TO BUILDINGS, ALLOWANCE FOR LONGER SPAN EFFECTS, AND STRUCTURE DEFLECTION.

REV.	DESCRIPTION	DSN	CHK	ORG	APP1	APP2	DATE
REVISIONS							
 Public Utility District of Grant County EPHRATA, WASHINGTON 98823							
CATEGORY TRANS				SUB-CATEGORY			
DOS FILE:	LAST FILE:	PLOT BY:	PLOT DATE:				
TITLE PROPOSED COLUMBIA TO ROCKY FORD 230KV TRANSMISSION LINE							
DESIGNER PED	ORIGINATOR CMP	SHT. of 1	of 1	PLOT SCALE 1	DRAWING NUMBER		
CHECKER PED	DATE 06/24/09	SCALE 1/8"=1'-0"	DWG SIZE D	EXHIBIT 2			



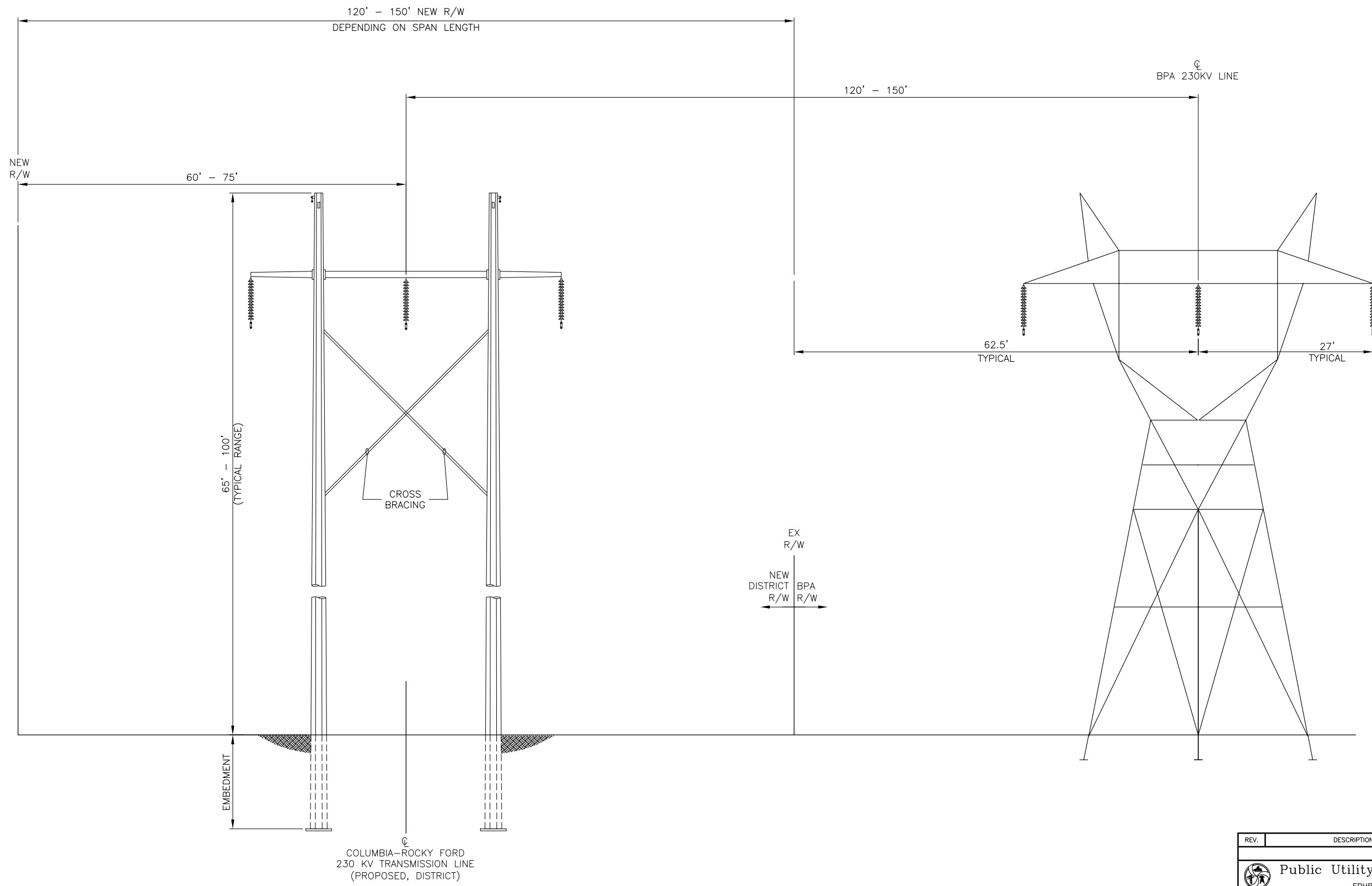
SINGLE POLE ALONG ROADS R/W SECTION



SHARED DISTRICT CORRIDOR R/W SECTION



REV.	DESCRIPTION	DSN	CHK	ORG	APP1	APP2	DATE
REVISIONS							
Public Utility District of Grant County EPHRATA, WASHINGTON 98823							
CATEGORY TRANS				SUB-CATEGORY			
DOS FILE:		LAST FILE:		PLOT BY:		PLOT DATE:	
TITLE PROPOSED COLUMBIA TO ROCKY FORD 230KV TRANSMISSION LINE							
DESIGNER PED	ORIGINATOR CMP	SHT. of 1	of 1	PLOT SCALE 1	DRAWING NUMBER		
CHECKER PED	DATE 06/24/09	SCALE 1/8"=1'-0"	DWG SIZE D	EXHIBIT 3			



SHARED BPA-DISTRICT CORRIDOR R/W SECTION



REV.	DESCRIPTION	DSN	CHK	ORG	APP1	APP2	DATE
REVISIONS							
Public Utility District of Grant County EPHRATA, WASHINGTON 98823							
CATEGORY TRANS				SUB-CATEGORY			
DOS FILE:		LAST FILE:		PLOT BY:		PLOT DATE:	
TITLE PROPOSED COLUMBIA TO ROCKY FORD 230KV TRANSMISSION LINE							
DESIGNER PED	ORIGINATOR CMP	SHT. of 1	of 1	PLOT SCALE 1	DRAWING NUMBER		
CHECKER PED	DATE 06/24/09	SCALE 1/8"=1'-0"	DWG SIZE D	EXHIBIT 4			